



**3 GHz TNC LATCHING S.P.D.T. SWITCH**

OPTIONS: / TTL DRIVE

**R F CHARACTERISTICS**

FREQUENCY RANGE : 0 - 3 GHz  
IMPEDANCE : 50 Ohms

|                 |         |         |         |
|-----------------|---------|---------|---------|
| FREQUENCY (GHz) | 0 - 1   | 1 - 2   | 2 - 3   |
| V.S.W.R <=      | 1.15    | 1.20    | 1.25    |
| INSERT. LOSS <= | 0.15 dB | 0.20 dB | 0.25 dB |
| ISOLATION >=    | 85 dB   | 80 dB   | 75 dB   |
| AVER. POWER (*) | 700 W   | 500 W   | 400 W   |

**ELECTRICAL CHARACTERISTICS**

ACTUATOR : LATCHING  
NOMINAL CURRENT AT 25° C (±10%) : 125 mA  
ACTUATOR VOLTAGE (Vcc) : 28V (24 to 30V) /NEGATIVE COMMON  
TERMINALS : solder pins (250 Deg.C max./30 sec)  
TTL INPUTS (E) - High level : 2.2 to 5.5V / 800µA at 5V  
- Low level : 0 to 0.8V / 20µA at 0.8V

**MECHANICAL CHARACTERISTICS**

CONNECTORS : TNC fem. per MIL C 39012  
LIFE : 1.000.000 cycles  
SWITCHING TIME (nominal voltage;25° C) : < 15 ms  
CONSTRUCTION : splashproof  
WEIGHT : < 185 g

**ENVIRONMENTAL CHARACTERISTICS**

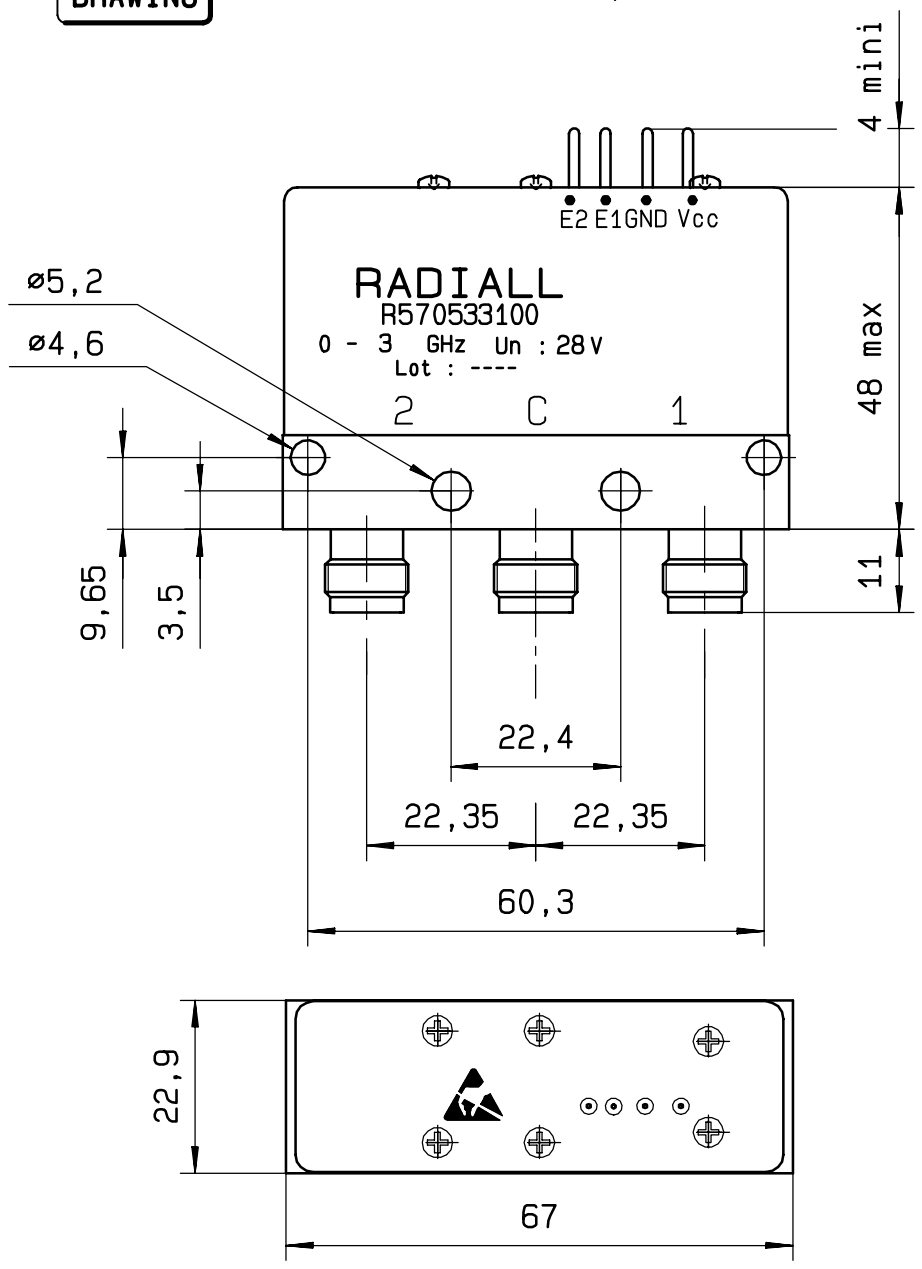
OPERATING TEMPERATURE RANGE (°C) : -40 , +85  
STORAGE TEMPERATURE RANGE (°C) : -55 , +85

(\* : average power at 25° C)

4112-9212 This information is given as an indication. In the continual goal to improve our products, we reserve the right to make any modifications judged necessary

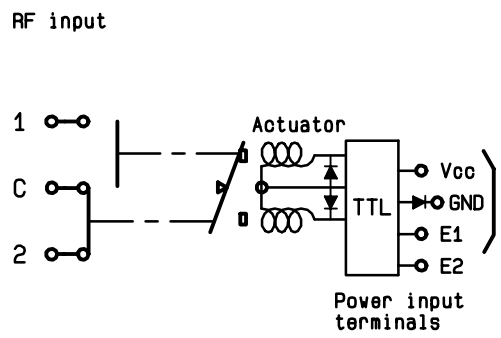
**DRAWING**

General tolerance: ± 0,5 mm



**SCHEMATIC DIAGRAM**

| TTL input   | RF continuity |
|-------------|---------------|
| E1=1   E2=0 | C ↔ 1         |
| E1=0   E2=1 | C ↔ 2         |
| E1=0   E2=0 | Memory        |
| E1=1   E2=1 | Forbidden     |



4113-9212 This information is given as an indication. In the continual goal to improve our products, we reserve the right to make any modifications judged necessary